

# Instapak Quick<sup>®</sup> RT

Foam Packaging

## Protect Anything and Everything, Anywhere

### Now You Can Pack Like a Pro

Instapak Quick<sup>®</sup> RT foam packaging is ideal for:

- Pack & ship stores
- Warranty & repair shops
- Internet-based businesses
- Mailrooms
- Home-based businesses
- Moving & storage
- Retail shipping departments
- Museums & galleries



**Winner**  
American Chemistry Council Innovation Award

# Instapak Quick® RT Packaging

Convenient, Portable, Protective Foam Cushions... Anywhere Instantly

## Enjoy All The Proven Benefits Of Instapak® Foam Packaging

**Easy-to-Use:** Anyone can become a packaging expert — instantly.

**Superior Product Protection:** Virtually eliminate shipping damage.

**No Start Up Costs:** No dispensing system or warming unit required.

**Versatile:** Protects products of almost any size, shape and weight.

**Fast:** Expands in seconds to form custom-fit protective foam cushions.

**Convenient:** Takes up little space and is completely mobile so you can use it anywhere.

**Customer Satisfaction:** Product arrives in a neat professional package.



## No Equipment Needed

Instapak Quick® RT Foam Packaging is a protective packaging solution you can take and use anywhere. By expanding up to 27 times their original size, Instapak Quick® RT foam bags save valuable space, making them the ideal on-demand packaging solution.

*For best results, activate bags stored between 65°F to 90°F / 18°C to 32°C.*



## Quick Tuff® RT Foam

Instapak Quick Tuff® RT foam provides durable cushioning and blocking and bracing protection for heavy products.



Quick® RT	#10	#20	#40	#60*	#80	#100
Flat Bag Size	15"×18"	18"×18"	18"×24"	18"×24"	22"×27"	25"×27"

\*Contains 25% more foam than the #40 bag.

## Create Protective Foam Cushions In Three Simple Steps

Instapak Quick® RT protective foam packaging can be activated right out of the box and requires no additional equipment.

See user's guide for complete instructions and helpful hints.



### Press!

Press hard on the component "A" oval to break the seal.



### Pat!

Alternately "pat" back and forth on the "A" and "B" ovals fifteen to twenty times.



### Pack!

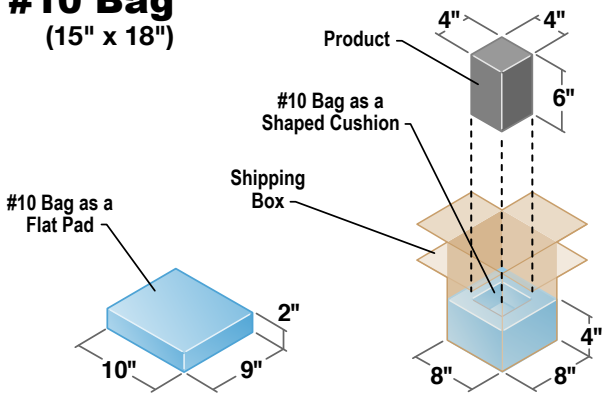
Nestle the product into the rising foam. Repeat the process as needed.

Quick Tuff® RT	#25	#45	#65
Flat Bag Size	18"×16"	18"×20"	22"×20"

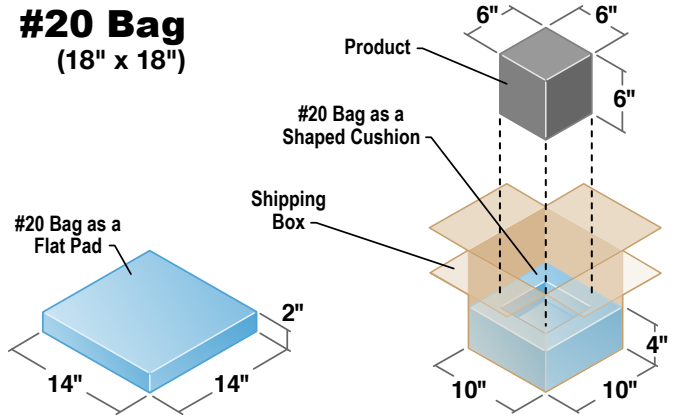
# Instapak Quick<sup>®</sup> RT

Foam Packaging - Bag Volumetric Guide

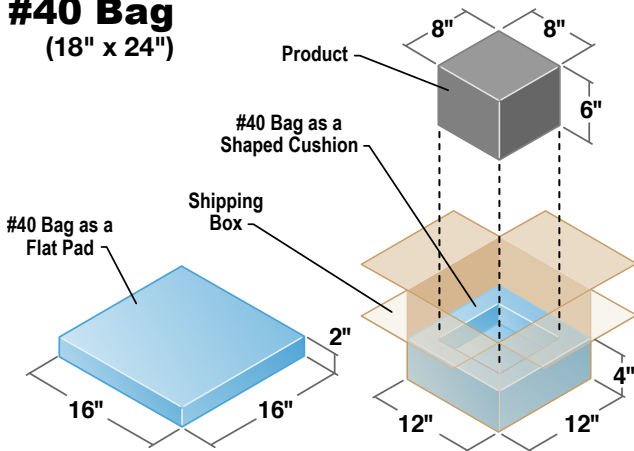
## #10 Bag (15" x 18")



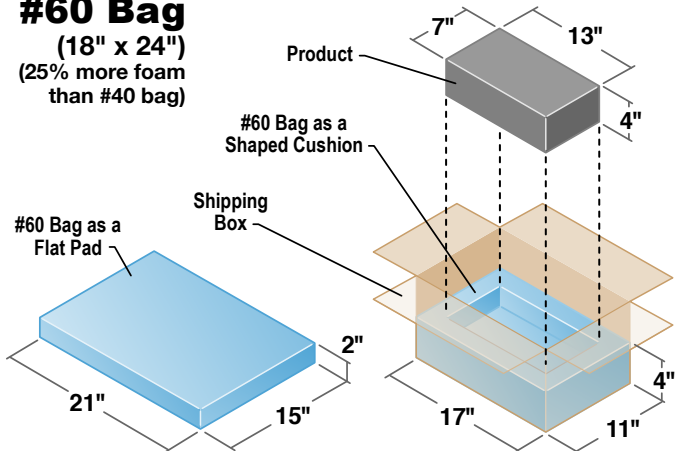
## #20 Bag (18" x 18")



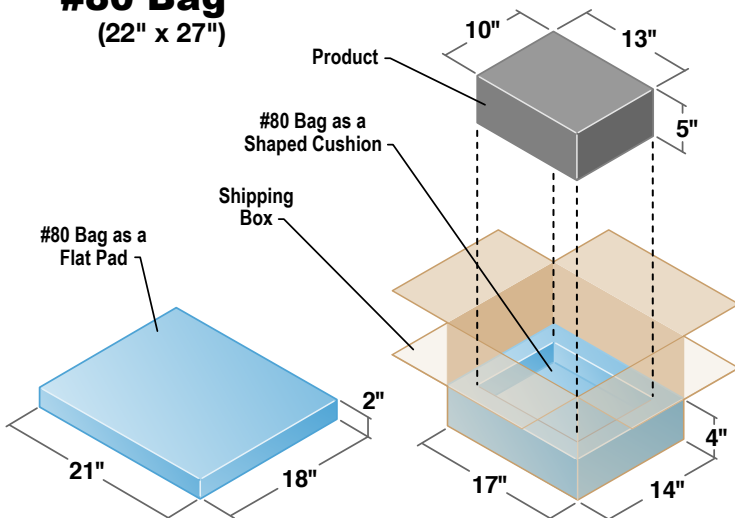
## #40 Bag (18" x 24")



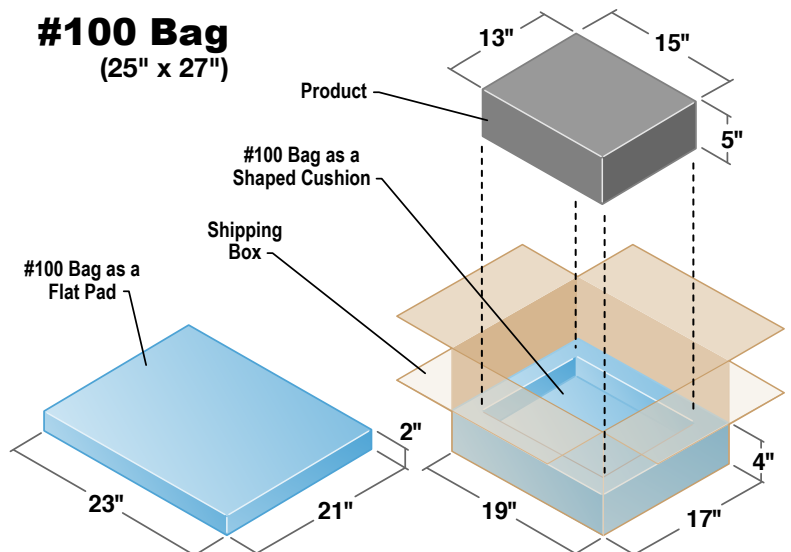
## #60 Bag (18" x 24") (25% more foam than #40 bag)



## #80 Bag (22" x 27")



## #100 Bag (25" x 27")



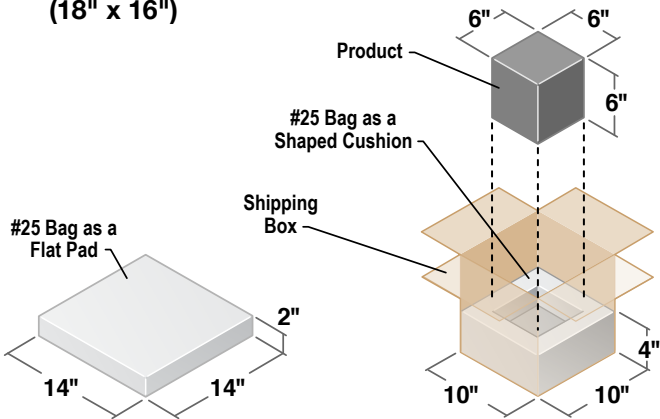
**Note:** This guide illustrates approximate Instapak Quick<sup>®</sup> RT cushion volumes. These volumes may vary with box size, product size, and packaging technique.

**Note:** Due to their shape and size, some products may require more than two Instapak Quick<sup>®</sup> RT foam bags for adequate protection. This is a common occurrence when using the foam-in-bag packaging process.

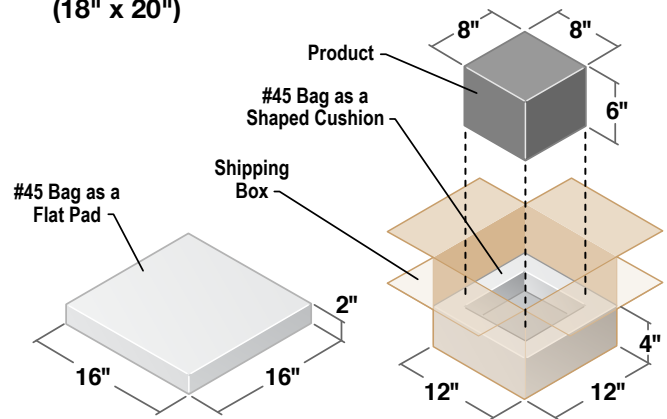
# Instapak Quick Tuff® RT

Foam Packaging - Bag Volumetric Guide

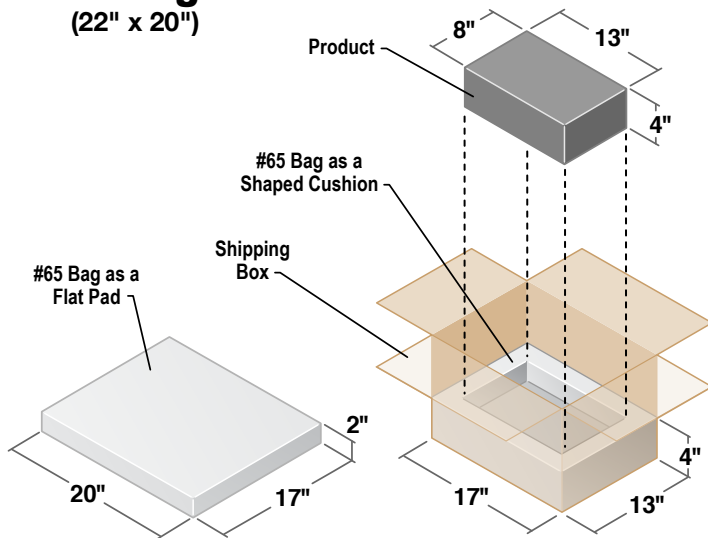
## #25 Bag (18" x 16")



## #45 Bag (18" x 20")





## #65 Bag (22" x 20")



Instapak Quick® RT and Instapak Quick Tuff® RT foam packaging are fast, flexible, and easy-to-use packaging materials that provide superior protection for your products. Both are ideal for cushioning, blocking and bracing applications, and for producing molded cushions.

This information is provided solely as a guide. Variables including product shape, product fragility and cushioning thickness may impact the performance of the packaging material. The user should test the application to determine the suitability of Instapak Quick® RT and Instapak Quick Tuff® RT foam packaging for the intended use.

 **Note:** This guide illustrates approximate Instapak Quick Tuff® RT cushion volumes. These volumes may vary with box size, product size, and packaging technique.

 **Note:** Due to their shape and size, some products may require more than two Instapak Quick Tuff® RT foam bags for adequate protection. This is a common occurrence when using the foam-in-bag packaging process.